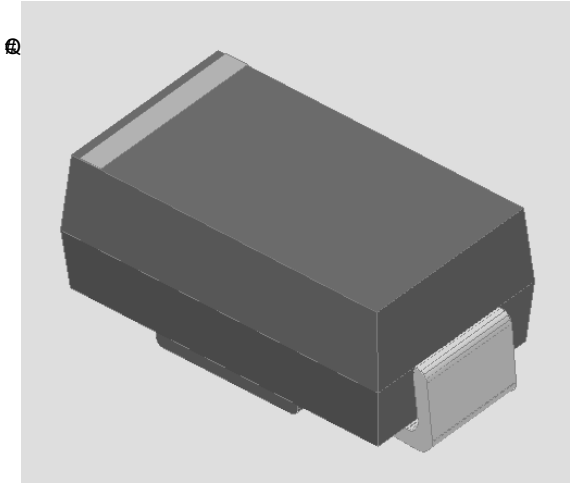




(6 \$\$ 7+58 (6 . \$

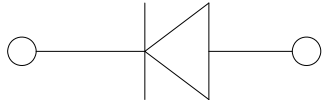
RoHS
COMPLIANT

6XUIDFH 0RXQW 6XSHU)DVW 5HFRYHU



)HDWXUHV
" /RZ SURILOH SDFNDJH
" ,GHDP À0000000000000000\SLFDO \$SSOLFDW

)RU XVH LQ KLJK IUFDWH RQ\ RUIHFRZHU VXSSO
LQYHUWHUV FRQYHUWHLOV GLQGG HUWHIRZK FRQ
DQG WHOHFRPPXQLFDWLRQ



QOHVV RWKHUZZLVH VSHFLILHG

0HFKDQLFDO 'DWD
" 3DFNDJH \$ & 60\$
0ROGLQJ FRPSRQ/QG PHHWDPPDELOLW\
UDWLQJ 5R+6 FRPSOLDQW KDORJHQ IUHH
" 7HUPLQDQVSODWHG OHDGV VROGHUDEOH S
- 67' DQG -(6Å % BD 'U- P (% "I À@07H)EG

3\$5\$0(7(5	6<0%2 81,	(6 \$\$ (6 % \$ (6 & \$ (6 ' \$ (6) \$ (6 * \$ (6 + \$ (6 - \$ (6 . \$
'HYLFH PDUNLQJ FRGH		(6 \$\$ (6 % \$ (6 & \$ (6 ' \$ (6) \$ (6 * \$ (6 + \$ (6 - \$ (6 . \$
0D[LPXP 5HSHWLWLYH 3HDN 9550HJWH 9ROWDJH		
0D[LPXP 506 9ROWDJH	9506 9	
0D[LPXP '& EORFNLQJ 9ROWDJH	9	
\$YHUDJH UHFWLILHG RXWSXW FXUUHQW # +] VLQH ZDYH 5HVLVWDQFH ORDS 7/),*)RUZDUG 6XUJH &XUUHQW 1RQ UHSyf@ QW		

-XQFWLRQ WHPSHUDWXUH 7M - a

			(6) \$ (6 * \$ (6 + \$ (6 - \$ (6 . \$
0D[LPXP LQVWDQW DQHRXV 9	9	,)0 \$	
IRUZDUG YROWDJH			
0D[LPXP UHYHUVH JHFRYHU\ WLPD \$.5 w \$			
0D[LPXP '& UHYHUVH FXUUHQW 7M -			
UDWHG '& EORFNLQJ YROWDJH 7M -			
7\SLFDO MXQFWLRQ FDSDFLW		0HDVXUHG DW 0+] DQG \$SSOLHG 5HYHUVH 9ROWDJH RI 9' &	



(6 \$\$ 7+58 (6 . \$

v7KHUPDO & KDUDFWHUL&VOLFWRWKHUĀLVH VSHFLILHG

3\$5\$0(7(5	6<0%2/	81,7	(6 \$\$	(6 %\$	(6 &\$	(6 '\$	(6)\$	(6 *\$	(6 +\$	(6 -\$	(6 . \$
7\SLFDO 7KHUPDO	5 . s										
	5H5L.VW	DQF:H									
	5 . &										

1RWH

7KHUPDO UHVLVWDRGHWIRDPMLXQFWDWG, QHRPGMPXDFQLHG RQ 3 & % ZLWKRSSHU SDG DPH

v7KHUPDO & KDUDFWHUL&VOLFWRWKHUĀLVH VSHFLILHG

),* ,R 7/ &XUYH &'0^μCEP &}CEÁ CE μCECE vš %]o]šÇ



W I &}CEÁ CE ^μCEP μCECE vš ~

PV 6LQJOH +DOI 6LQH :DYH

Eμ CE }(Ç o •

(6 \$ \$ 7 + 5 8 (6 . \$



(6 \$ \$ 7 + 5 8 (6 . \$

V6 X J J H V W H G 3 D G / D \ R X W

' 2 \$ & 6 0 \$



(6 \$ \$ 7 + 5 8 (6 . \$

'LVFODLPHU

7KH LQIRUPDWLRQ SGRV ~~DMQHG~~ LQ IR ~~WLV~~ ~~DIHJ~~ ~~KR~~ ~~BO~~ ~~MLH~~ (OHFWURQLF 7HHKQRO
ULJKW WR PDNH FKDLQ ~~JHVRZL~~ ~~WKR~~ ~~XWS~~ ~~ORL~~ ~~WUR~~ ~~Q~~ ~~X~~ ~~FR~~ ~~Q~~ ~~R~~ ~~G~~ ~~L~~ ~~W~~ ~~S~~ ~~O~~ ~~D~~ ~~H~~ ~~G~~ KHUHLQ WURGLP ~~SLUR~~ ~~Y~~
RU RWKHUZLVH

7KH SURGXFW OLVWHG KHUHLQ LV GH ~~OL~~ ~~H~~ ~~Q~~ ~~W~~ ~~G~~ ~~R~~ ~~Q~~ ~~R~~ ~~F~~ ~~E~~ ~~H~~ ~~T~~ ~~X~~ ~~L~~ ~~S~~ ~~O~~ ~~H~~ ~~Z~~ ~~W~~ ~~K~~ ~~R~~ ~~U~~ ~~G~~ ~~H~~ ~~L~~ ~~F~~ ~~H~~ ~~V~~ ~~W~~ ~~D~~ ~~Q~~ ~~G~~
HTXLSPHQW RU GHYLFHV ZKLFK UHT ~~Ø~~ ~~L~~ ~~W~~ ~~K~~ ~~H~~ ~~K~~ ~~E~~ ~~D~~ ~~O~~ ~~O~~ ~~X~~ ~~H~~ ~~F~~ ~~V~~ ~~O~~ ~~G~~ ~~R~~ ~~Q~~ ~~U~~ ~~R~~ ~~H~~ ~~O~~ ~~L~~ ~~D~~ ~~E~~ ~~N~~ ~~L~~ ~~O~~ ~~R~~ ~~G~~ ~~O~~ ~~D~~ ~~O~~ ~~F~~ ~~H~~ ~~K~~ ~~D~~ ~~X~~ ~~P~~ ~~D~~
PHGLEDO LQVWUXPH ~~Q~~ ~~W~~ ~~V~~ ~~H~~ ~~T~~ ~~W~~ ~~L~~ ~~S~~ ~~P~~ ~~H~~ ~~C~~ ~~S~~ ~~V~~ ~~R~~ ~~U~~ ~~D~~ ~~H~~ ~~U~~ ~~R~~ ~~V~~ ~~S~~ ~~D~~ ~~F~~ ~~H~~ ~~P~~ ~~D~~ ~~F~~ ~~K~~ ~~L~~ ~~Q~~

